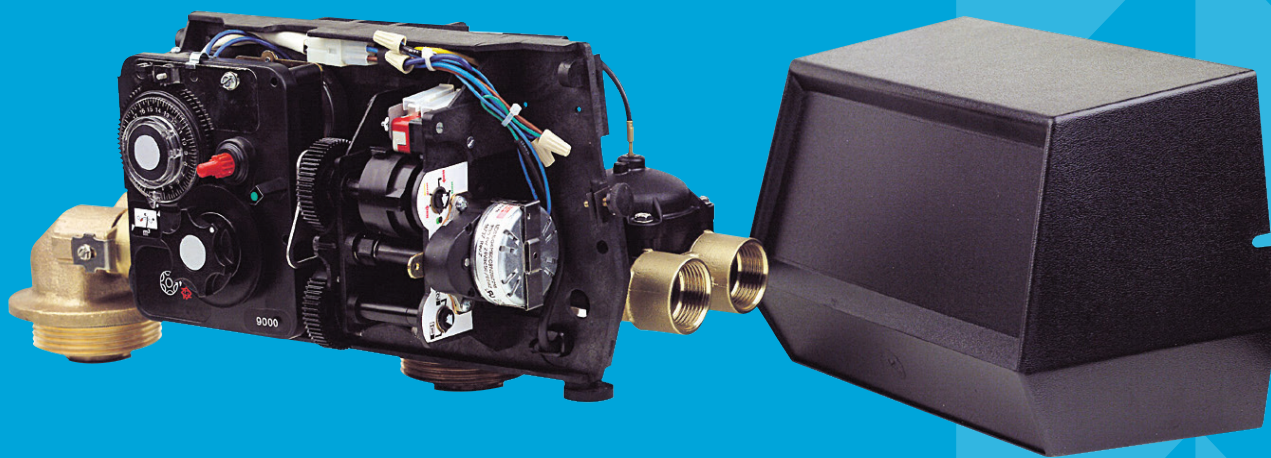




# TECHNICAL SHEET

**FLECK**

TWIN VALVE SERIE 9000





## FLECK VALVE TWIN SERIE - 9000

### TECHNICAL CHARACTERISTICS



- Soft water continuously, one tank in use, the second one in regeneration or stand-by
- Regeneration with softened water.
- Valve body in brass, which permit to adapt the hot water option up to 65°C
- Adjustable cycles
- Fast connection of the second tank, to order separately
- Upflow regeneration

### TECHNICAL SPECIFICATIONS

#### VALVE SPECIFICATIONS

Material	Brass
Hydrostatic pressure	20 bar
Working pressure	1.8 - 8.5 bar
Working temperature	1 - 43 °C
Electrical rating	24 V / 50 or 60 Hz
Protection index	IP 22
Certificates	2004/108/CE, Electromagnetic compatibility 2006/95/CE, Low voltage D.M. 174/04, Italian norm

#### FLOW RATE (3.5 BAR INLET - VALVE ALONE)

	¾ inch	1 inch
Continuous ( $\Delta p = 1$ bar)	4 m <sup>3</sup> /h	4.7 m <sup>3</sup> /h
Peak ( $\Delta p = 1.8$ bar)	5.4 m <sup>3</sup> /h	6.3 m <sup>3</sup> /h
Cv*	4.8 gpm	5.1 gpm
Maximum backwash ( $\Delta p = 1.8$ bar)	1.9 m <sup>3</sup> /h	1.9 m <sup>3</sup> /h

\* Cv: Flow rate of valve alone in gpm at 0.07 bar pressure drop.

#### DOWN FLOW REGENERATION

	Mechanical	Electronic
Cycles	Adjustable	Adjustable
Time available	164 min	199 min each cycle

## CONNECTIONS

Inlet / outlet	¾ or 1 inch BSP
Distributor tube	26.7 mm (1 inch)
Drain line	½ inch
Brine line 1600	¾ inch
Mounting base	2 ½ inches - 8 NPSM
Height (from top of tank)	165 mm
<b>Tank size application (recommended)</b>	
Water softener	6 - 16 inches (150 - 400 mm)

## METER

	¾ inch	1 inch
Accuracy range (± 5%)	1 - 57 Lpm	2.6 - 151 Lpm
Standard capacity range	0.5 - 8 m³	1 - 20 m³
Extended capacity range	2.5 - 40 m³	5 - 100 m³

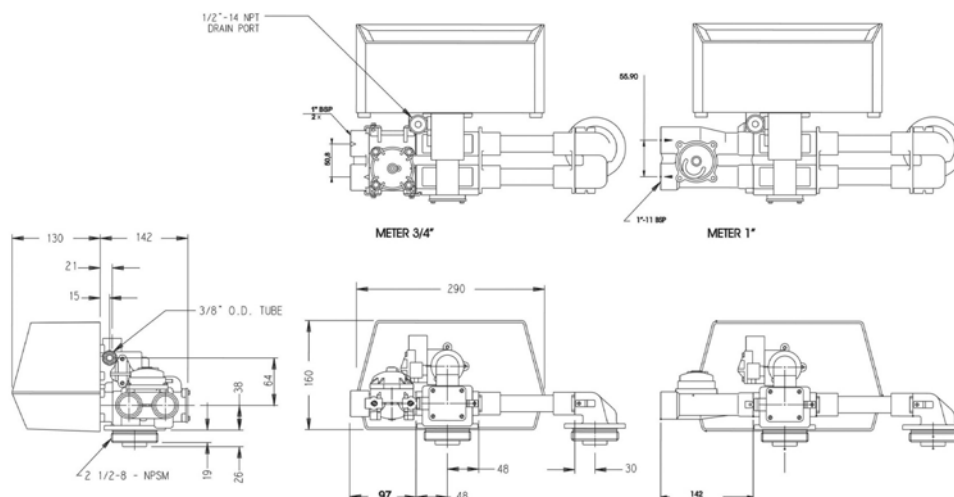
## REGENERATION CYCLES

Upflow	Down flow
1) Brine and slow rinse (Upflow)	1) Backwash (Upflow)
2) Backwash (Upflow)	2) Brine and slow rinse (Down flow)
3) Rapid rinse (Down flow)	3) Rapid rinse (Down flow)
4) Brine tank refill	4) Brine tank refill
5) Service	5) Service

## OPTIONS

Regeneration	Upflow
Electronic	ET, SXT
Hot water	65°C
By-pass	Valve ¾ inch

## DIMENSIONS



## Contact us:

### By mail

---

#### Commercial support

[commercial.prfemea@pentair.com](mailto:commercial.prfemea@pentair.com)

#### Technical support

[techsupport.water@pentair.com](mailto:techsupport.water@pentair.com)

#### Marketing support

[marketing.prfemea@pentair.com](mailto:marketing.prfemea@pentair.com)

### By phone

---

Tel. +41 21 623 69 69